

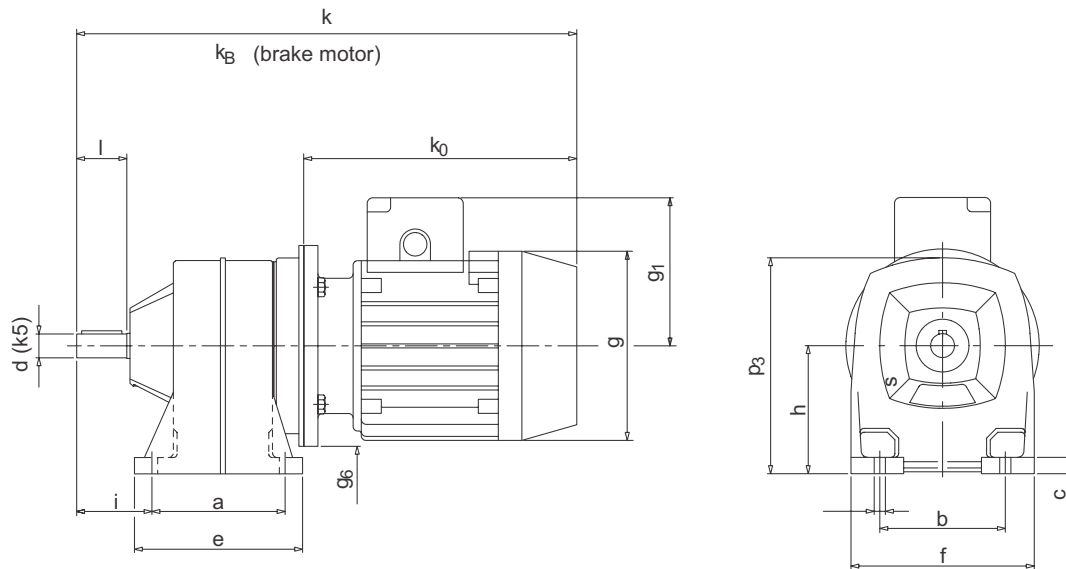


# GEARED MOTOR

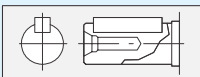
PRODUCT MANUAL

I & S Series - COAXIAL WITH HELICAL GEARED MOTORS

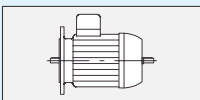
## “IPCM-IPCMF” DIMENSIONS (mm)



Type	Weight [Kg]	g	g <sub>1</sub>	g <sub>6</sub>	k (1)	k <sub>B</sub> (1)	k <sub>0</sub> (1)	a	b	c	e	f	h	i	p <sub>3</sub>	s	d	l
84/56	7	109	95	120	321	-	172											
84/63	8	123	100	140	347	379	190	88	78	11	108	120	84	48	143	10	16	34
84/71	11	138	109	160	404	453	214											
102/63	11	123	100	140	371	403	190											
102/71	14	138	109	160	395	444	214											
102/80	18	156	124	200	461	517	236	106	100	13	134	150	102	60	176	9	19	40
102/90S	23	176	129	200	479	536	254											
102/90L	25	176	129	200	504	561	279											
128/63	15.5	123	100	140	396	428	190											
128/71	18	138	109	160	421	470	214											
128/80	24	156	124	200	461	517	236											
128/90S	29	176	129	200	496	553	254	126	118	16	160	178	128	74	215	11	24	50
128/90L	31	176	129	200	521	578	279											
128/100	38	194	138	250	575	645	309											
128/112	46	218	152	250	594	668	328											
142/80	29	156	124	200	489	545	236											
142/90S	34	176	129	200	524	581	254											
142/90L	36	176	129	200	549	606	279	145	130	18	179	196	142	95	237	11	28	60
142/100	44	194	138	250	621	691	309											
142/112	52	218	152	250	640	714	328											
162/80	42	156	124	200	574	630	236											
162/90S	46	176	129	200	592	649	254											
162/90L	48	176	129	200	617	674	279											
162/100	55	194	138	250	650	720	309	205	160	21	245	226	162	120	269	14	38	80
162/112	63	218	152	250	669	743	328											
162/132S	82	258	178	300	782	865	371											
162/132M	95	258	178	300	820	903	409											



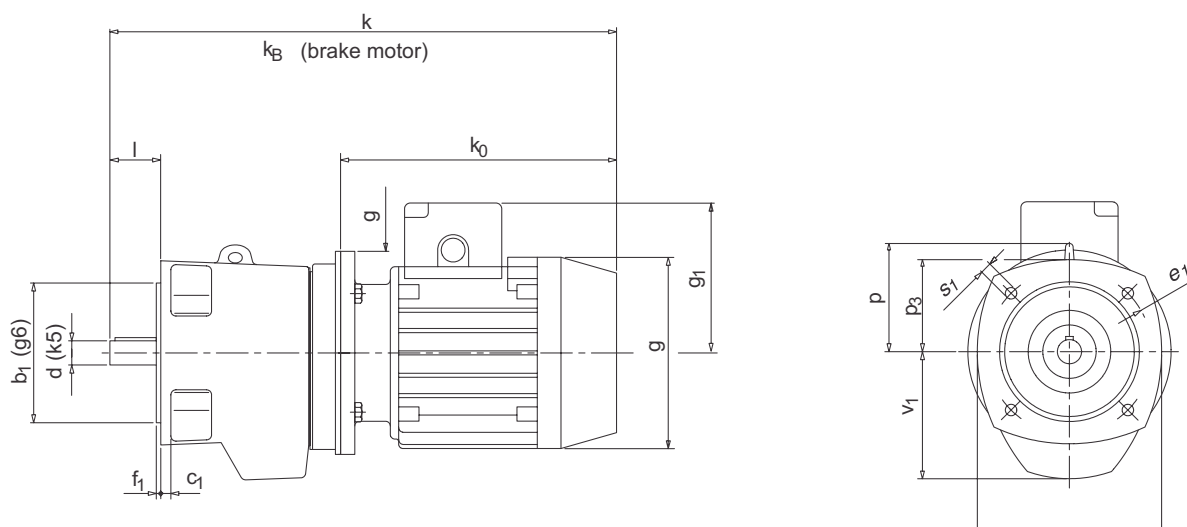
(1) These dimensions are indicative, they are depending of motor manufacturers.  
Bare shaft dimensions are on page 12  
General motors dimensions page 8, 9 & 10



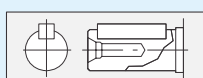
Unless specified differently by the customer, motor reducers supplied, use B-5 flange mounting motors and normal position terminal board box.

Approximate weights are shown in the tables.  
We reserve the rights to modify any dimensions, without changing the Type number of reducers.  
CD for CAD systems are also available, providing to scale, drawings of reducers and accessories.

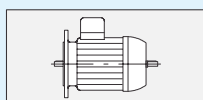
## “IBCM-IBCMF” DIMENSIONS (mm)



Type	Weight [Kg]	g	g <sub>1</sub>	g <sub>6</sub>	k (1)	k <sub>B</sub> (1)	k <sub>0</sub> (1)	a <sub>1</sub>	b <sub>1</sub>	c <sub>1</sub>	e <sub>1</sub>	f <sub>1</sub>	p	p <sub>3</sub>	s <sub>1</sub>	v <sub>1</sub>	d	l	
84/56	6.5	109	95	120	321	-	172												
84/63	7.5	123	100	140	347	379	190	110	80	8	100	3	-	55	7	78	16	34	
84/71	10	138	109	160	404	453	214												
102/63	10.5	123	100	140	371	403	190												
102/71	13	138	109	160	395	444	214												
102/80	18	156	124	200	461	517	236	145	110	10	130	3.5	-	73	9	100	19	40	
102/90S	22	176	129	200	479	536	254												
102/90L	24	176	129	200	504	561	279												
128/63	15	123	100	140	396	428	190												
128/71	17.5	138	109	160	421	470	214												
128/80	23	156	124	200	461	517	236												
128/90S	28	176	129	200	496	553	254	172	130	10	165	3.5	-	86	11	128	24	50	
128/90L	30	176	129	200	521	578	279												
128/100	37	194	138	250	575	645	309												
128/112	45	218	152	250	594	668	328												
142/80	28	176	124	200	489	545	236												
142/90S	33	156	129	200	524	581	254												
142/90L	35	176	129	200	549	606	279	190	130	10	165	3.5	113	95	11	140	28	60	
142/100	43	194	138	250	621	691	309												
142/112	51	218	152	250	640	714	328												
162/80	39	156	124	200	574	630	236												
162/90S	43	176	129	200	592	649	254												
162/90L	45	176	129	200	617	674	279												
162/100	52	194	138	250	650	720	309	216	180	22	215	4	131	108	14	160	38	80	
162/112	60	218	152	250	669	743	328												
162/132S	79	258	178	300	782	865	371												
162/132M	92	258	178	300	820	903	409												



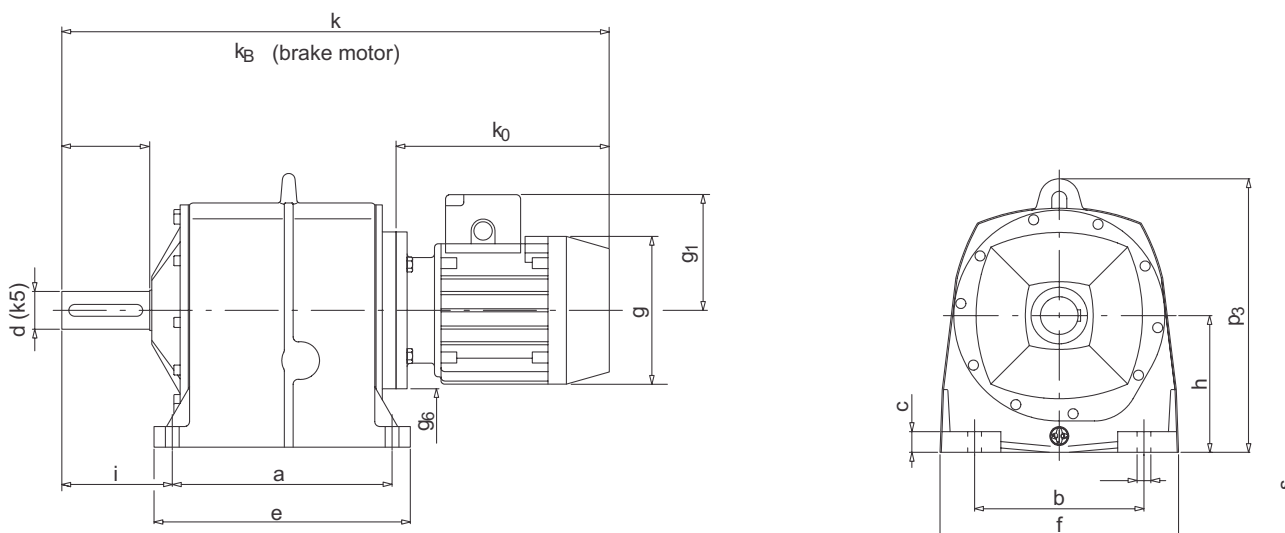
(1) These dimensions are indicative, they are depending of motor manufacturers.  
Bare shaft dimensions are on page 12  
General motors dimensions page 8, 9 & 10



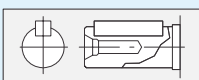
Unless specified differently by the customer, motor reducers supplied,  
use B-5 flange mounting motors and normal position terminal board box.

Approximate weights are shown in the tables.  
We reserve the rights to modify any dimensions, without changing the Type number of reducers.  
CD for CAD systems are also available, providing to scale, drawings of reducers and accessories.

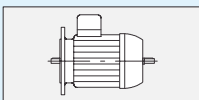
## “SPCM-SPCMF” DIMENSIONS (mm)



Type	Weight [Kg]	g	g <sub>1</sub>	g <sub>6</sub>	k (1)	k <sub>B</sub> (1)	k <sub>0</sub> (1)	a	b	c	e	f	h	i	p <sub>3</sub>	s	d	l
160/71	53	138	109	160	605	654	214											
160/80	59	156	124	200	639	695	236											
160/90S	63	176	129	200	657	714	254											
160/90L	65	176	129	200	682	739	279											
160/100	71	194	138	250	718	788	309											
160/112	79	218	152	250	737	811	328	270	195	24	310	276	160	137	319	13	48	110
160/132S	89	258	178	300	806	889	371											
160/132M	108	258	178	300	844	927	409											
160/160M	147	310	232	350	947	1053	484											
160/160L	147	310	232	350	991	1097	528											
<hr/>																		
180/71	68	138	109	160	633	682	214											
180/80	74	156	124	200	669	725	236											
180/90S	78	176	129	200	687	744	254											
180/90L	80	176	129	200	712	769	279											
180/100	86	194	138	250	740	810	309											
180/112	94	218	152	250	759	833	328	295	220	27	340	310	180	139	357	18	50	110
180/132S	109	258	178	300	825	908	371											
180/132M	128	258	178	300	863	946	409											
180/160M	160	310	232	350	973	1079	484											
180/160L	160	310	232	350	1017	1123	528											
180/180	200	355	290	350	1091	-	602											



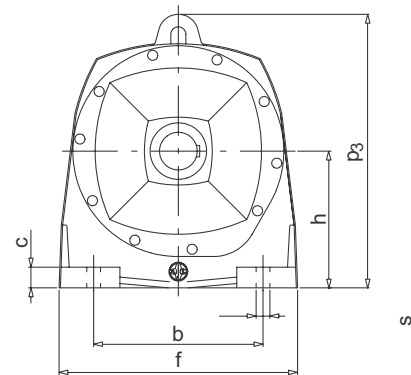
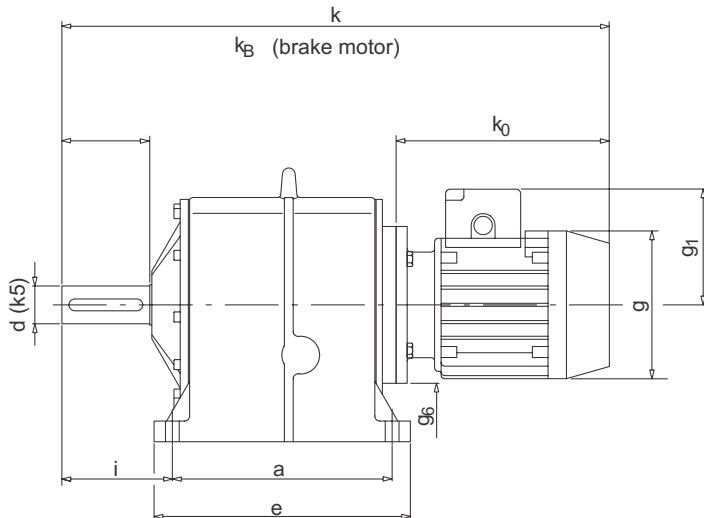
(1) These dimensions are indicative, they are depending of motor manufacturers.  
Bare shaft dimensions are on page 2  
General motors dimensions page 8, 9 & 10



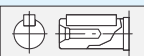
Unless specified differently by the customer, motor reducers supplied, use B-5 flange mounting motors and normal position terminal board box.

Approximate weights are shown in the tables.  
We reserve the rights to modify any dimensions, without changing the Type number of reducers.  
CD for CAD systems are also available, providing to scale, drawings of reducers and accessories.

## “SPCM-SPCMF” DIMENSIONS (mm)



Type	Weight [Kg]	g	g <sub>1</sub>	g <sub>6</sub>	k (1)	k <sub>B</sub> (1)	k <sub>0</sub> (1)	a	b	c	e	f	h	i	p <sub>3</sub>	s	d	l
195/71	89	138	109	160	655	704	214											
195/80	94	156	124	200	693	749	236											
195/90S	98	176	129	200	711	768	254											
195/90L	100	176	129	200	736	793	279											
195/100 (2)	108	194	138	250	754	824	309											
195/100 (3)	108	194	138	250	781	851	309											
195/112	114	218	152	250	773	847	328	320	240	30	365	347	195	138	394	18	55	110
195/132S	136	258	178	300	844	927	371											
195/132M	145	258	178	300	882	965	409											
195/160M	180	310	232	350	992	1098	484											
195/160L	180	310	232	350	1036	1142	528											
195/180	220	355	290	350	1110	-	602											
195/200		390	341	400		-	669											
<hr/>																		
218/80	125	156	124	200	749	805	236											
218/90S	129	176	129	200	767	824	254											
218/90L	131	176	129	250	792	849	279											
218/100	138	194	138	250	837	907	309											
218/112	144	218	152	300	856	930	328											
218/132S	159	258	178	300	899	982	371											
218/132M	178	258	178	350	937	1020	409	350	270	33	408	380	218	174	436	22	60	140
218/160M	215	310	232	350	1048	1154	484											
218/160L	215	310	232	350	1092	1198	528											
218/180	230	355	290	400	1166	-	602											
218/200		390	341	450		-	669											
218/225S		399	345			-	665											



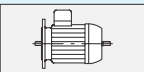
(1) These dimensions are indicative, they are depending of motor manufacturers.

(2) Nominal output speed 30 to 300 1/min

(3) Nominal output speed 3 to 25 1/min

Bare shaft dimensions are on page 12

General motors dimensions page 8, 9 & 10



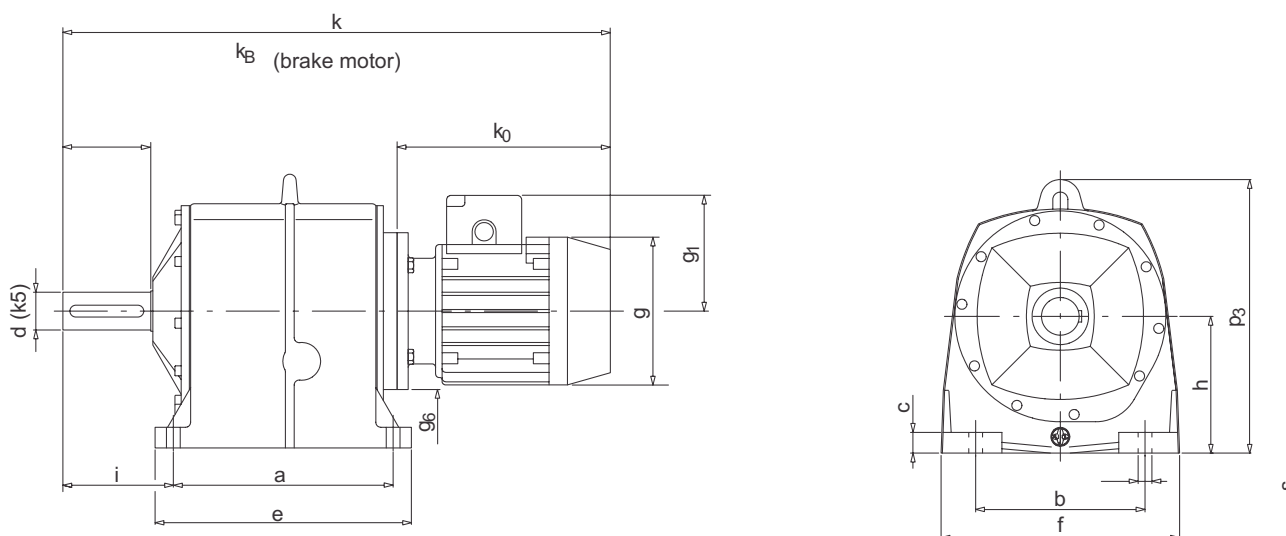
Unless specified differently by the customer, motor reducers supplied, use B-5 flange mounting motors and normal position terminal board box.

Approximate weights are shown in the tables.

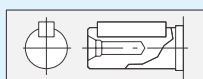
We reserve the rights to modify any dimensions, without changing the Type number of reducers.

CD for CAD systems are also available, providing to scale, drawings of reducers and accessories.

## “SPCM-SPCMF” DIMENSIONS (mm)

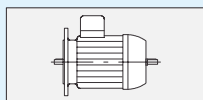


Type	Weight [Kg]	g	g <sub>1</sub>	g <sub>6</sub>	k (1)	k <sub>B</sub> (1)	k <sub>0</sub> (1)	a	b	c	e	f	h	i	p <sub>3</sub>	s	d	l
238/80	185	156	124	200	780	836	236											
238/90S	188	176	129	200	798	855	254											
238/90L	191	176	129	200	823	880	279											
238/100	203	194	138	250	861	931	309											
238/112	209	218	152	250	880	954	328											
238/132S	219	258	178	300	921	1004	371											
238/132M	238	258	178	300	959	1042	409											
238/160M	275	310	232	350	1068	1174	484	390	300	36	452	418	238	175	475	22	70	140
238/160L	275	310	232	350	1112	1218	528											
238/180	315	355	290	350	1186	-	602											
238/200	390	390	341	400	1251	-	669											
238/225S	463	399	345	450	1278	-	665											
238/225M	503	399	345	450	1291	-	678											
238/250		443	389	550		-	766											
<hr/>																		
268/90S	219	176	129	200	877	934	254											
268/90L	221	176	129	200	902	959	279											
268/100	228	194	138	250	932	1002	309											
268/112	234	218	152	250	951	1025	328											
268/160M	305	310	232	350	1137	1243	484											
268/160L	305	310	232	350	1181	1287	528	440	330	40	508	462	268	208	533	26	80	170
268/180	345	355	290	350	1255	-	602											
268/200	495	390	341	400	1315	-	669											
268/225S		399	345	450	1358	-	665											
268/225M		399	345	450	1371	-	678											
268/250		443	389	550		-	766											



(1) These dimensions are indicative, they are depending of motor manufacturers.  
Bare shaft dimensions are on page 12  
General motors dimensions page 8, 9 & 10

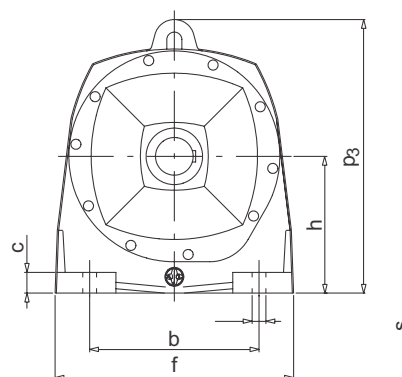
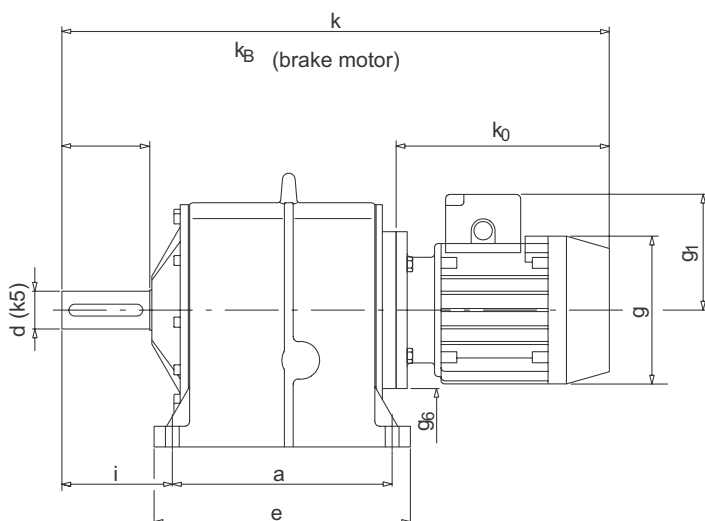
Unless specified differently by the customer, motor reducers supplied, use B-5 flange mounting motors and normal position terminal board box.



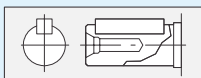
Approximate weights are shown in the tables.

We reserve the rights to modify any dimensions, without changing the Type number of reducers.  
CD for CAD systems are also available, providing to scale, drawings of reducers and accessories.

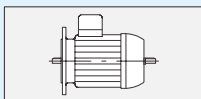
## DIMENSIONS (mm)



Type	Weight [Kg]	g	g <sub>1</sub>	g <sub>2</sub>	k (1)	k <sub>B</sub> (1)	k <sub>0</sub> (1)	a	b	c	e	f	h	i	p <sub>3</sub>	s	d	l
302/90S	304	176	129	200	925	982	254											
302/90L	306	194	129	200	950	1007	279											
302/100	313	218	138	250	980	1050	309											
302/112	319	258	152	250	999	1073	328											
302/132S	340	258	178	300	1056	1139	371											
302/132M	353	310	178	300	1094	1177	409											
302/160M	395	310	232	350	1173	1279	484	490	360	45	558	512	302	210	599	26	90	170
302/160L	395	355	232	350	1217	1323	528											
302/180	435	390	290	350	1291	-	602											
302/200L	550	399	341	400	1362	-	669											
302/225S	595	399	345	450	1379	-	665											
302/225M	603	443	345	450	1392	-	678											
302/250			389	500		-	766											
330/100	383	194	138	250	1060	1130	309											
330/112	389	218	152	250	1079	1153	328											
330/132S	399	258	178	300	1134	1217	371											
330/132M	412	258	178	300	1172	1255	409											
330/160M	462	310	232	350	1240	1346	484											
330/160L	477	310	232	350	1284	1390	528	530	400	50	610	562	330	253	661	33	100	210
330/180	510	355	290	350	1358	-	602											
330/200	605	390	341	400	1443	-	669											
330/225S	640	399	345	450	1462	-	665											
330/225M	680	399	345	450	1475	-	678											
330/250		443	389	500		-	766											
360/100	453	194	138	250	1102	1172	309											
360/112M	459	218	152	250	1121	1195	328											
360/132S	479	258	178	300	1164	1247	371											
360/132M	492	258	178	300	1202	1285	409											
360/180	575	355	290	350	1399	-	602	570	430	55	650	624	360	258	729	33	110	210
360/200		390	341	400		-	669											
360/225S	725	399	345	450	1501	-	665											
360/225M	765	399	345	450	1514	-	678											
360/250	830	443	389	500	1587	-	766											



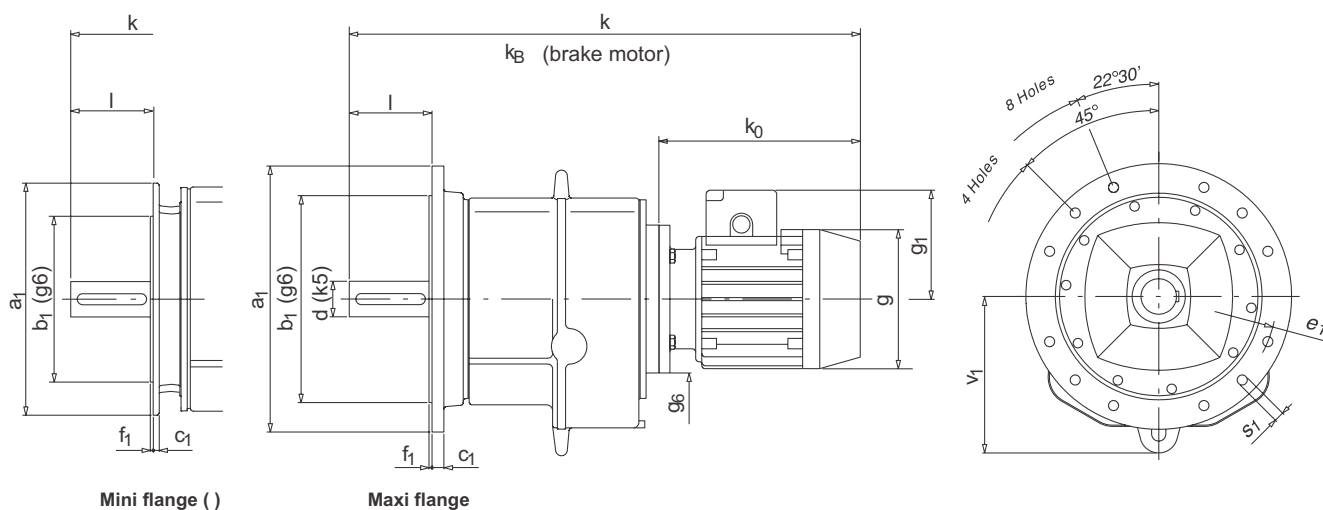
(1) These dimensions are indicative, they are depending of motor manufacturers.  
Bare shaft dimensions are on page 12  
General motors dimensions page 8, 9 & 10



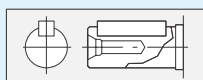
Unless specified differently by the customer, motor reducers supplied, use B-5 flange mounting motors and normal position terminal board box.

Approximate weights are shown in the tables.  
We reserve the rights to modify any dimensions, without changing the Type number of reducers.  
CD for CAD systems are also available, providing to scale, drawings of reducers and accessories.

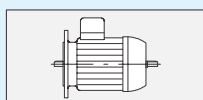
## “SBCM-SBCMF” DIMENSIONS (mm)



Type	Weight [Kg]	g	g <sub>1</sub>	g <sub>6</sub>	k (1)	k <sub>B</sub> (1)	k <sub>0</sub> (1)	a <sub>1</sub>	b <sub>1</sub>	c <sub>1</sub>	e <sub>1</sub>	f <sub>1</sub>	s <sub>1</sub>	Bohrungen Nr. holes	v <sub>1</sub>	d	l
160/71	51	138	109	160	605	654	214										
160/80	57	156	124	200	639	695	236										
160/90S	61	176	129	200	657	714	254										
160/90L	63	176	129	200	682	739	279										
160/100	69	194	138	250	718	788	309	350	250	16	300	5	17	4	195	48	110
160/112	77	218	152	250	737	811	328	(250)	(180)	(14)	(215)	(4)	(13)				
160/132S	87	258	178	300	806	889	371										
160/132M	106	258	178	300	844	927	409										
160/160M	145	310	232	350	947	1053	484										
160/160L	145	310	232	350	991	1097	528										
<hr/>																	
180/71	66	138	109	160	633	682	214										
180/80	72	156	124	200	669	725	236										
180/90S	76	176	129	200	687	744	254										
180/90L	78	176	129	200	712	769	279										
180/100	84	194	138	250	740	810	309										
180/112	92	218	152	250	759	833	328	400	300	18	350	5	17	4	218	50	110
180/132S	107	258	178	300	825	908	371	(300)	(230)	(16)	(265)	(4)	(13)				
180/132M	126	258	178	300	863	946	409										
180/160M	158	310	232	350	973	1079	484										
180/160L	158	310	232	350	1017	1123	528										
180/180	198	355	290	350	1091	-	602										



(1) These dimensions are indicative, they are depending of motor manufacturers.  
Bare shaft dimensions are on page 12  
General motors dimensions page 8, 9 & 10

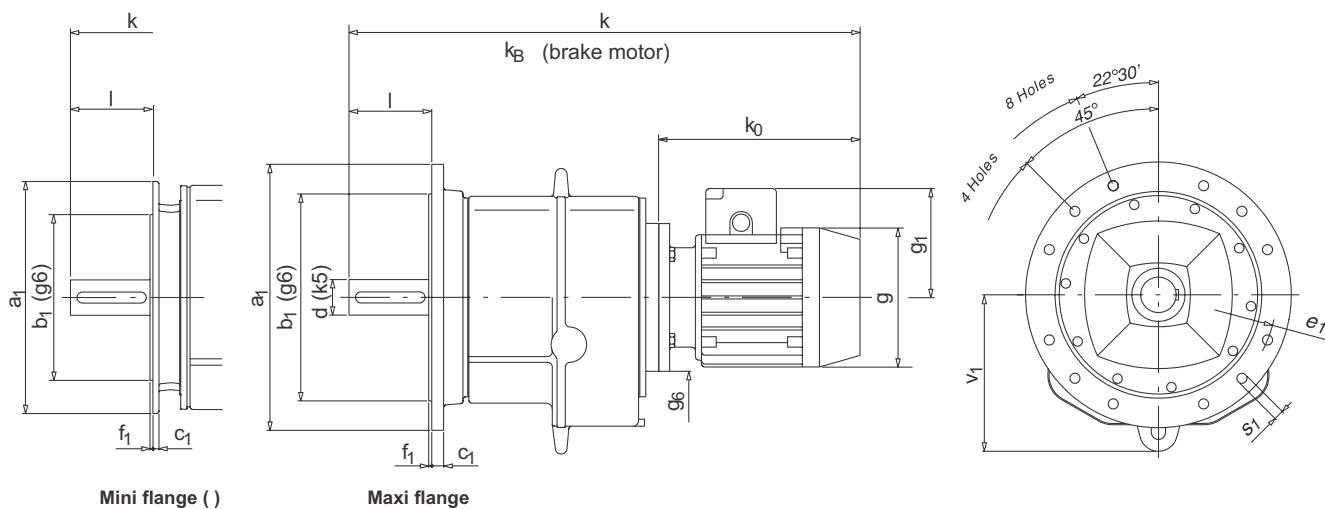


Unless specified differently by the customer, motor reducers supplied, use B-5 flange mounting motors and normal position terminal board box.

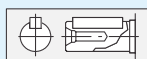
Approximate weights are shown in the tables.  
We reserve the rights to modify any dimensions, without changing the Type number of reducers.  
CD for CAD systems are also available, providing to scale, drawings of reducers and accessories.



## “SBCM-SBCMF” DIMENSIONS (mm)



Type	Weight [Kg]	g	g <sub>1</sub>	g <sub>6</sub>	k (1)	k <sub>B</sub> (1)	k <sub>0</sub> (1)	a <sub>1</sub>	b <sub>1</sub>	c <sub>1</sub>	e <sub>1</sub>	f <sub>1</sub>	s <sub>1</sub>	Bohrungen Nr. holes	v <sub>1</sub>	d	l
195/71	92	138	109	160	655	704	214										
195/80	97	156	124	200	693	749	236										
195/90S	101	176	129	200	711	768	254										
195/90L	103	176	129	200	736	793	279										
195/100 (2)	111	194	138	250	754	824	309										
195/100 (3)	111	194	138	250	781	851	309										
195/112	117	218	152	250	773	847	328	450	350	20	400	5	17	8	238	55	110
195/132S	129	258	178	300	844	927	371	(300)	(230)	(16)	(265)	(4)	(13)	(4)			
195/132M	148	258	178	300	882	965	409										
195/160M	183	310	232	350	992	1098	484										
195/160L	183	310	232	350	1036	1142	528										
195/180	223	355	290	350	1110	-	602										
195/200		390	341	400		-	669										
<hr/>																	
218/80	125	156	124	200	749	805	236										
218/90S	129	176	129	200	767	824	254										
218/90L	131	176	129	200	792	849	279										
218/100	138	194	138	250	837	907	309										
218/112	144	218	152	250	856	930	328										
218/132S	159	258	178	300	899	982	371	450	350	20	400	5	17	8	265	60	140
218/132M	178	258	178	300	937	1020	409	(350)	(250)	(17)	(300)	(4)	(13)	(4)			
218/160M	215	310	232	350	1048	1154	484										
218/160L	215	310	232	350	1092	1198	528										
218/180	230	355	290	350	1166	-	602										
218/200		390	341	400		-	669										
218/225S		399	345	450		-	665										



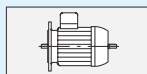
(1) These dimensions are indicative, they are depending of motor manufacturers.

(2) Nominal output speed 30 to 300 1/min

(3) Nominal output speed 3 to 25 1/min

Bare shaft dimensions are on page 12

General motors dimensions page 8, 9 & 10



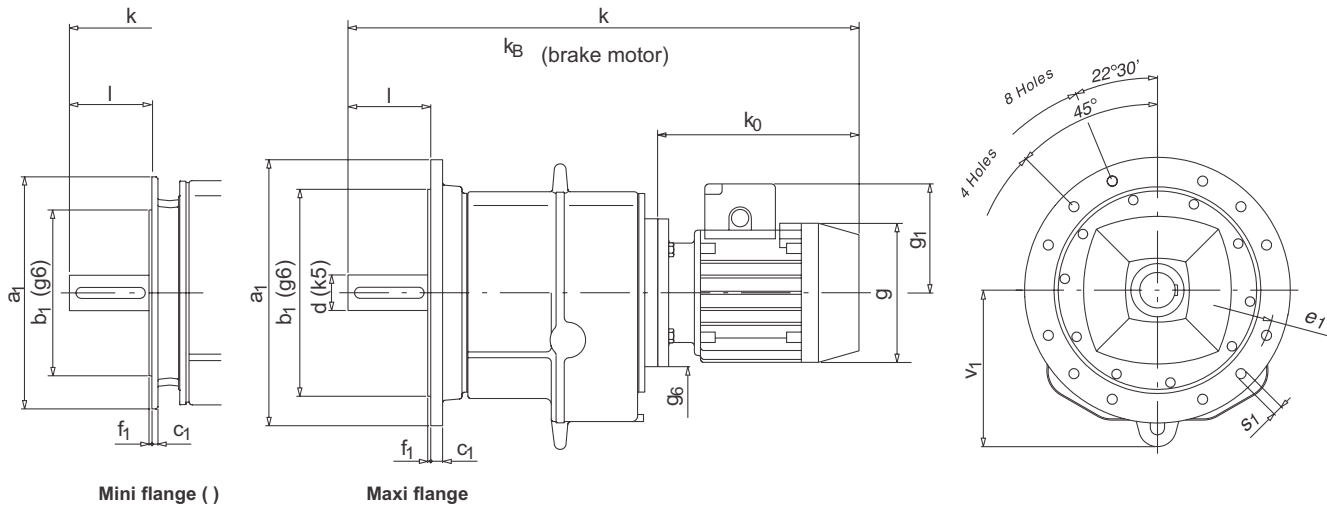
Unless specified differently by the customer, motor reducers supplied, use B-5 flange mounting motors and normal position terminal board box.

Approximate weights are shown in the tables.

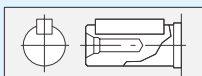
We reserve the rights to modify any dimensions, without changing the Type number of reducers.

CD for CAD systems are also available, providing to scale, drawings of reducers and accessories.

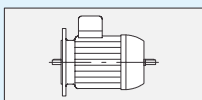
## “SBCM-SBCMF” DIMENSIONS (mm)



Type	Weight [Kg]	g	g <sub>1</sub>	g <sub>6</sub>	k (1)	k <sub>B</sub> (1)	k <sub>0</sub> (1)	a <sub>1</sub>	b <sub>1</sub>	c <sub>1</sub>	e <sub>1</sub>	f <sub>1</sub>	s <sub>1</sub>	Bohrungen Nr. holes	v <sub>1</sub>	d	l
238/80	185	156	124	200	780	836	236										
238/90S	188	176	129	200	798	855	254										
238/90L	191	176	129	200	823	880	279										
238/100	203	194	138	250	861	931	309										
238/112	209	218	152	250	880	954	328										
238/132S	219	258	178	300	921	1004	371										
238/132M	238	258	178	300	959	1042	409	550	450	22	500	5	17	8	288	70	140
238/160M	275	310	232	350	1068	1174	484	(400)	(300)	(18)	(350)		(18)	(4)			
238/160L	275	310	232	350	1112	1218	528										
238/180	315	355	290	350	1186	-	602										
238/200	390	390	341	400	1251	-	669										
238/225S	463	399	345	450	1278	-	665										
238/225M	503	399	345	450	1291	-	678										
238/250	443	389	350	550	-	766											
<hr/>																	
268/90S	219	176	129	200	877	934	254										
268/90L	221	176	129	200	902	959	279										
268/100	228	194	138	250	932	1002	309										
268/112	234	218	152	250	951	1025	328										
268/160M	305	310	232	350	1137	1243	484										
268/160L	305	310	232	350	1181	1287	528	550	450	25	500	5	17	8	326	80	170
268/180	345	355	290	350	1255	-	602	(450)	(350)	(20)	(400)		(18)	(8)			
268/200	495	390	341	400	1315	-	669										
268/225S	399	399	345	450	1358	-	665										
268/225M	399	399	345	450	1371	-	678										
268/250	443	389	350	550	-	766											



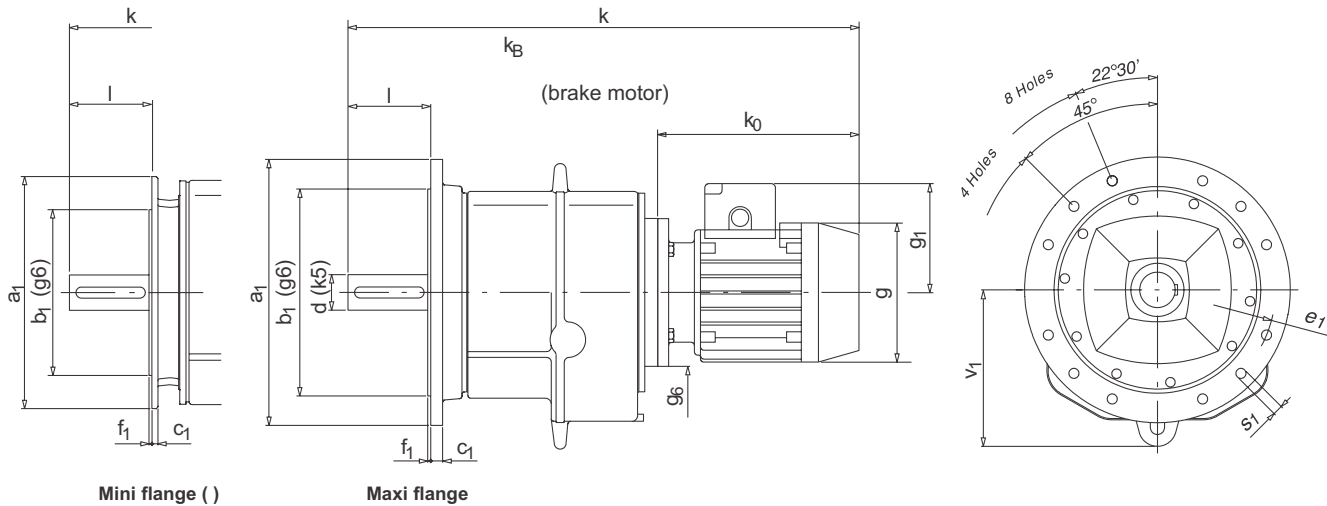
(1) These dimensions are indicative, they are depending of motor manufacturers.  
Bare shaft dimensions are on page 12  
General motors dimensions page 8, 9 & 10



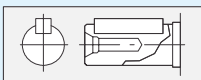
Unless specified differently by the customer, motor reducers supplied, use B-5 flange mounting motors and normal position terminal board box.

Approximate weights are shown in the tables.  
We reserve the rights to modify any dimensions, without changing the Type number of reducers.  
CD for CAD systems are also available, providing to scale, drawings of reducers and accessories.

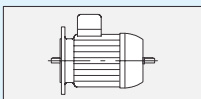
## “SBCM-SBCMF” DIMENSIONS (mm)



Type	Weight [Kg]	g	g <sub>1</sub>	g <sub>6</sub>	k (1)	k <sub>B</sub> (1)	k <sub>0</sub> (1)	a <sub>1</sub>	b <sub>1</sub>	c <sub>1</sub>	e <sub>1</sub>	f <sub>1</sub>	s <sub>1</sub>	Bohrungen Nr. holes	v <sub>1</sub>	d	l
302/90S	304	176	129	200	925	982	254										
302/90L	306	176	129	200	950	1007	279										
302/100	313	194	138	250	980	1050	309										
302/112	319	218	152	250	999	1073	328										
302/132S	340	258	178	300	1056	1139	371										
302/132M	353	258	178	300	1094	1177	409										
302/160M	395	310	232	350	1173	1279	484	660	550	32	600	6	22	8	370	90	170
302/160L	395	310	232	350	1217	1323	528	(450)	(350)	(26)	(400)	(5)	(20)				
302/180	435	355	290	350	1291	-	602										
302/200L	550	390	341	400	1362	-	669										
302/225S	595	399	345	450	1379	-	665										
302/250	443	389	389	500	1392	-	766										
330/100	383	194	138	250	1060	1130	309										
330/112	389	218	152	250	1079	1153	328										
330/132S	399	258	178	300	1134	1217	371										
330/132M	412	258	178	300	1172	1255	409										
330/160M	462	310	232	350	1240	1346	484										
330/160L	477	310	232	350	1284	1390	528	660	550	32	600	6	22	8	409	100	210
330/180	510	355	290	350	1358	-	602	(550)	(450)	(30)	(500)	(5)					
330/200	605	390	341	400	1443	-	669										
330/225S	640	399	345	450	1462	-	665										
330/225M	680	399	345	450	1475	-	678										
330/250	443	389	389	500	-	-	766										
360/100	453	194	138	250	1102	1172	309										
360/112M	459	218	152	250	1121	1195	328										
360/132S	479	258	178	300	1164	1247	371										
360/132M	492	258	178	300	1202	1285	409										
360/180	575	355	290	350	1399	-	602	800	680	39	740	6	22	8	450	110	210
360/200	390	341	400	-	-	-	669	(550)	(450)	(36)	(500)	(5)					
360/225S	725	399	345	450	1501	-	665										
360/225M	765	399	345	450	1514	-	678										
360/250	830	443	389	500	1587	-	766										



(1) These dimensions are indicative, they are depending of motor manufacturers.  
Bare shaft dimensions are on page 12  
General motors dimensions page 8, 9 & 10



Unless specified differently by the customer, motor reducers supplied, use B-5 flange mounting motors and normal position terminal board box.

Approximate weights are shown in the tables.  
We reserve the rights to modify any dimensions, without changing the Type number of reducers.  
CD for CAD systems are also available, providing to scale, drawings of reducers and accessories.



## Premium Transmission Limited

Head Office : Premium House, Mumbai-Pune Road, Chinchwad, Pune - 411019, India.

Tel. : (91-20) 27488886 / 27488947, Fax : (91-20) 27450287 / 27472384

Website : [www.premiumtransmission.com](http://www.premiumtransmission.com)

**Manufacturing Units :** **Unit-I :** Old Mumbai - Pune Road, Chinchwad, Pune - 411 019, India. Tel. : 91-20- 66314100 Fax : 91-20- 27450287, 27472384. **Unit-II :** Falta Industrial Growth Centre, Sector-III, Falta, 24 Parganas (South), West Bengal 743504, India. Tel.: 91-3174-222231 / 32 / 33 / 37, Fax : 91-31749 222234. **Unit-III :** G-56 / 57, MIDC Industrial Area, Chilkalthana, Aurangabad - 431 210, India. Tel.: 91-240-2485521, 2485856, 2485056, Fax: 91-240-2485756. **Unit-IV :** 31-P, MIDC Industrial Area, Chilkalthana, Aurangabad - 431 210, India. Tel.: 91-240-2482858, 2471298, Fax: 91-240-2482857.

**Regional Offices :** **Mumbai :** Corporate Park II, 4th Floor, Sion, Trombay Road, Chembur, Mumbai - 400071, India. Tel.: 91-22-25264750, 25264763, Fax: 91-22-25262622, 25264800. **New Delhi :** Express Building Annexe, 9-10, Bahadur Shah Zafar Marg, New Delhi - 110 002, India. Tel. : 91-11-23730554 (8 Lines), Fax: 91-11-23359782 / 23357739. **Kolkata :** Thapar House, 25, Brabourne Road, Kolkata - 700 001, India. Tel.: 91-33-22424316, 22423780, 22423805, 22424317 / 20 / 21, 22438815, 22420817, Fax: 91-33-22424325. **Chennai :** "Wavoo Mansion", 7th Floor, New No. 48 (Old No. 39) Rajaji Salai, Chennai - 600 001, India. Tel.: 91-44-25255200, 91-44-25224557. **Nagpur :** Plot No 15, State Bank Colony, Ujjwal Nagar, Somalwada, Wardha Road, Nagpur - 25. Mobile : (0) 9425009827

**Branch Offices :** **Ahmedabad :** 'Jaldarshan' Ashram Road, Navrangpura, Ahmedabad - 380 009, India. Tel.: 91-79-26580428 / 0518 / 1856 / 1857 / 1861, Fax : 91-79-26587783. **Bangalore :** 16/3, Ali Asker Road, Off Cunningham Road, Bangalore - 560 052, India. Tel.: 91-80-22262062, Fax : 91-80-22253472. **Hyderabad :** 6-2-47, A, C. Guards, 1st Floor, Hyderabad - 500 004, India. Tel.: 91-40-23314025, 23316446, 23390544, Fax : 91-40-23318557. **Kochi :** 39/5567, M. G. Road, Emakulam, Kochi - 682 015, India. Tel.: 91-484-2359661, 2359372, 2359190, Fax: 91 484-2359589.

**Representative Offices :** **Lucknow :** G-901, Halwasiya Utsav Enclave, Opposite HAL, Faizabad Road, Lucknow - 226 016, India. Tel.: 91-522-4001344, Mobile : (0) 9793581144. **Mohali :** House No. 33, 1st Floor, Phase - XI, Sas Nagar (Mohali), Punjab - 160 062, Tel.: 91-172-2230633, Mobile : (0) 9814640863. **Jamshedpur :** Flat No. 61 A, First Floor, Rajendranagar Colony, Sakchi, Jamshedpur 831001, Jharkhand. Mobile : (0) 9771844408. **Rourkela :** A/72, Sector - 13, Rourkela - 769009, Orissa. Mobile : (0) 9437122066. **Jaipur :** B-1A, Vivekanand Colony, Naya Kheda Near Ambabari, Jaipur - 302012, Rajasthan. Mobile : (0) 9887720845. **Coimbatore :** Door no. 55, Rangsam Layout, Pellamedu, Coimbatore - 641004. Mobile : (0) 9894295769. **Baroda :** B 24, Deep Darshan 1 Society, Ataladra, Padra Road, Baroda, Gujarat. Mobile : (0) 9375122012. **Raipur :** A-10, Shubham Vihar, Behind Anmol Super Market, New Puraina, Mahavir Nagar, Raipur - 492 001 Chhatisgarh, Mobile : (0) 9826903132. **Indore :** C-6, Shreevardhan Complex, 4, RNT Marg., Indore - 452001. Ph : 0731-2510943. Mobile : (0) 9302690943. **Vishakhapatnam :** Flat No. 101, Yadu Residency, Rednum Garden, Ramnagar, Vishakhapatnam-530002, Mobile : (0) 9866167594.

